

Problem:

A safe, cost-efficient alternative to the forklift for transporting A-Frames

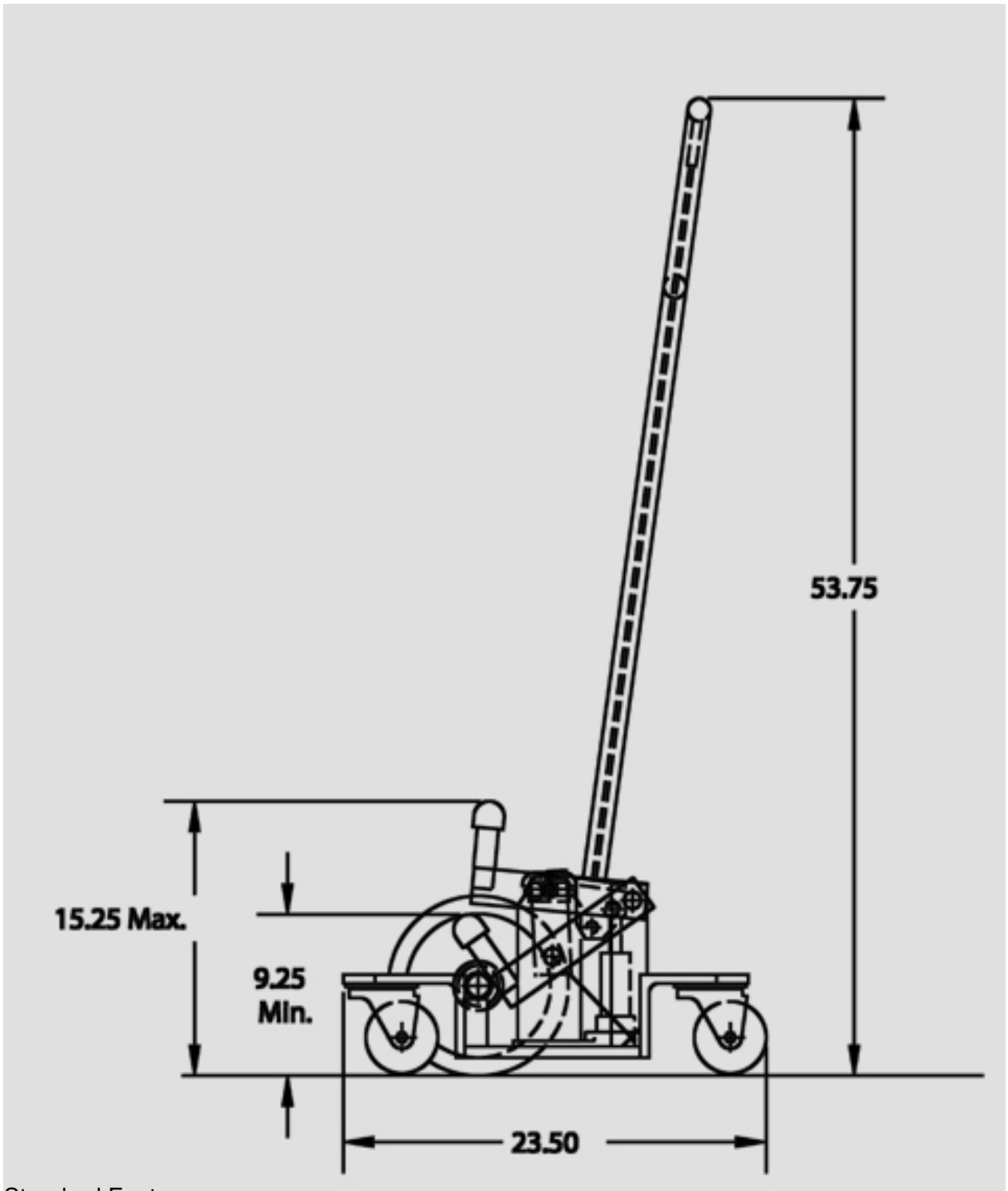
Solution:

Menzel Hydraulic A-Frame Jack

Most manufacturers of web handling equipment tend to concentrate their efforts in the areas of unwinding, guiding and winding. Menzel is one of these manufacturers. But, what separates us from others in the industry is that we also direct a great deal of our attention to the storage and transport of the fully wound web.

Our hydraulic A-Frame Jack is a compact, easy to handle, safe alternative to some of the homemade jacks and cumbersome, expensive forklifts being widely used today. And it is suitable for transporting A-Frames weighing up to 6,000 pounds.





Standard Features: Built-in front and rear casters for easy mobility. Heavy-duty steel construction for long life. Hydraulic pump with safety valve. A-frame arm with safety stop. Easy to use and maintain.