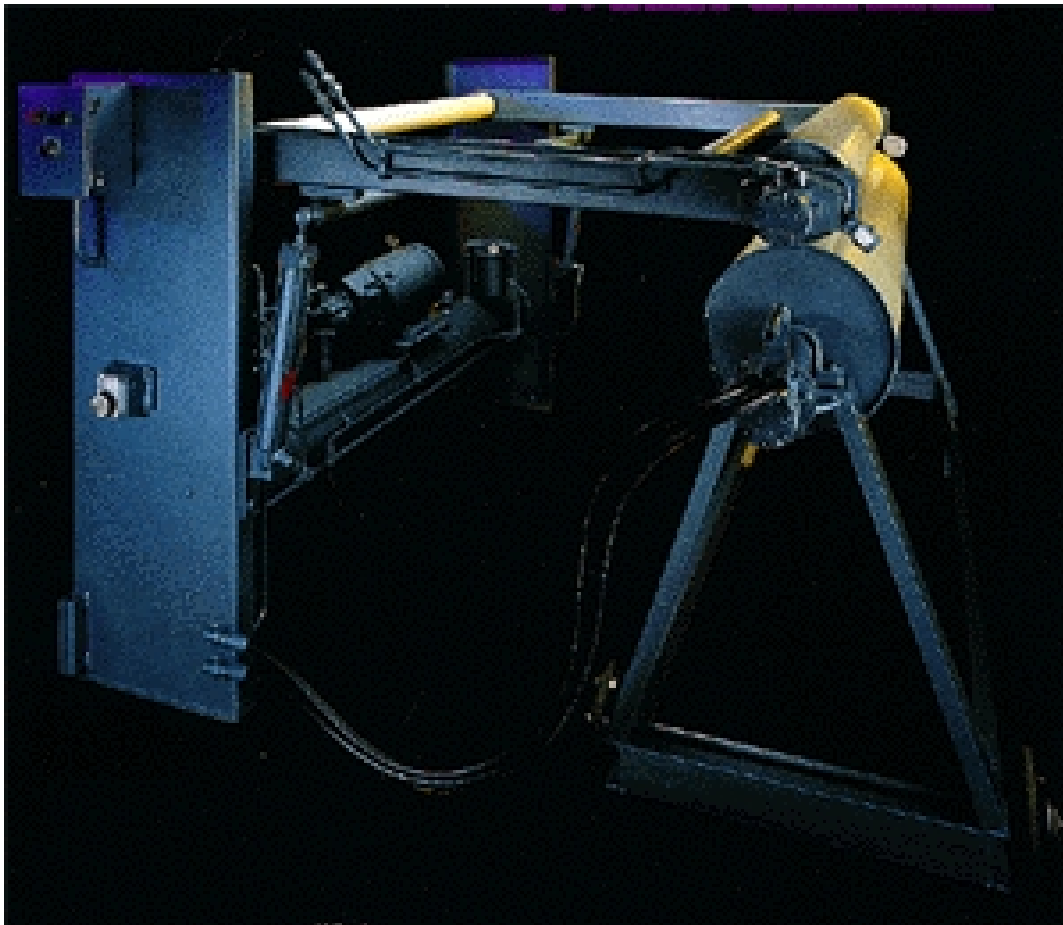


Problem:

Adaptability in a surface-driven, A-Frame winding system for difficult to wind materials.

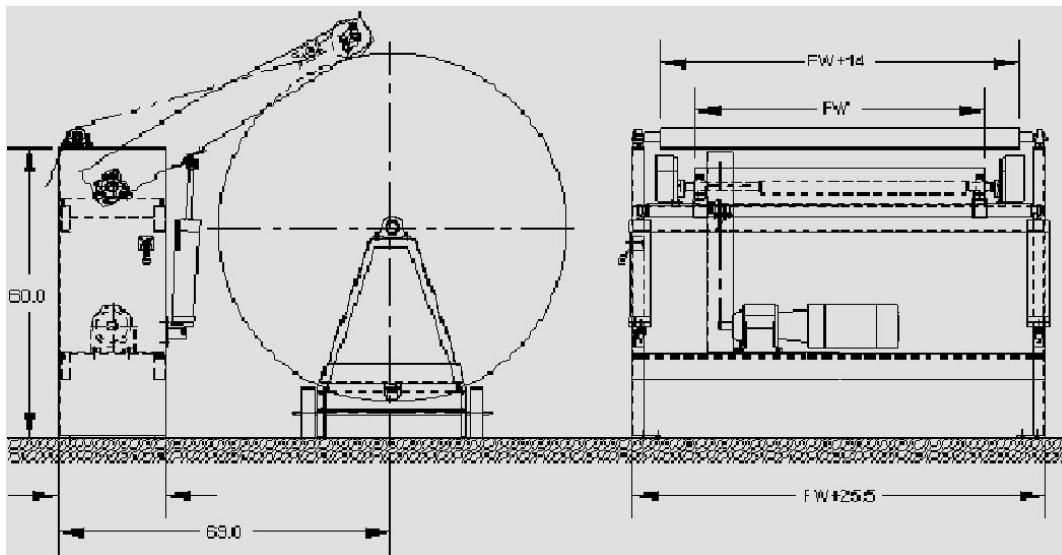
Solution:

Menzel Electric A-Frame Surface Winder



Winding quality rolls of difficult to wind fabrics has been a problem from the start. Menzel has put an end to this with the Electric A-Frame Surface Winder, which is available in AC or DC drives for added versatility.

Because the Electric A-Frame Surface Winder is a "lay-on" roll, which maintains consistent winding pressure against the material, the tendency for trapped air and telescoping is virtually eliminated while winding rolls up to 72" in diameter.



Standard Features:

- Heavy-duty steel side plates with rigid cross-bracing for added strength
- Set of winding arms with an 8" surface winding roll
- Pair of air cylinders to raise and lower winding arm
- Motor mount and connecting drive.

NOTE: ALL MENZEL ELECTRIC A-FRAME SURFACE WINDERS ARE FULLY ASSEMBLED AND TESTED PRIOR TO DELIVERY

Optional Features:

- Adjustable speed drive with linear acceleration/deceleration, isolation transformer and control station
- Photo-electric nip protection
- Three-roll compensator for optimum speed and tension control.
- Polyband Expander or bow roll for removal of wrinkles and creases.
- Oscillating Roll to eliminate selvage build-up.
- Stainles steel winding roll for wet applications.
- Menzel Compactor Batcher with two 8" surface winding rolls with speed differential, ensures tight packages for dorduroy, mattress ticking and other difficult to wind webs.